



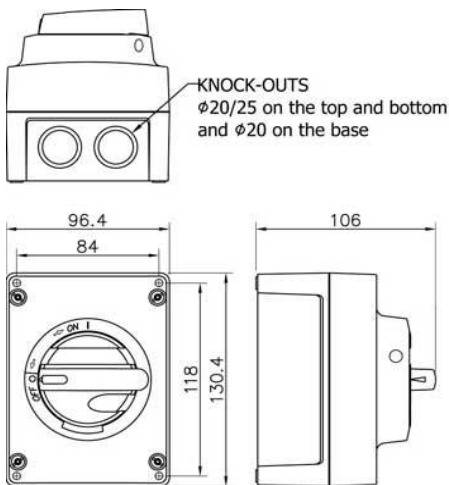
Enclosed Disconnect Switches - NEMA 4X

Approvals	Technical Characteristics				
	Amperage	Horsepower			
		208V	240V	460V	575V
IEC 60947-3	40A	7.5	10	20	15
IEC 60269-2	60A	10	10	25	25
UL 508					
ISO 14001					
ISO 9001					

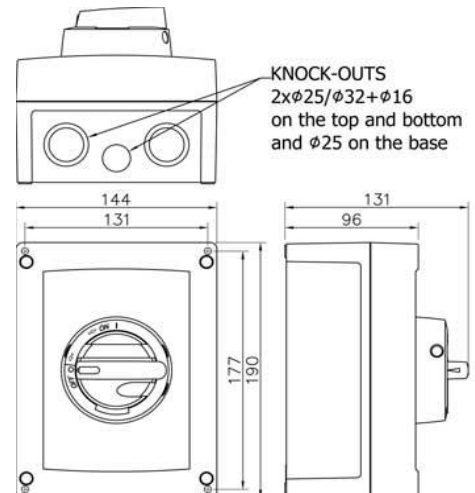
- * - Manual motor controller with disconnect means
- * - Type 4X Polycarbonate Enclosure

- * - Retrofit snap on auxiliary contacts
- * - Padlockable with three locks

KEM340ULYRU2



KEM360ULYR



Manufacturer's Representative for the Canadian Market



EE Controls Locations
 17 & 21 Stewart Court, Orangeville ON
 L9W3Z9
 Phone: (519) 941-6845
 Fax: (519) 940-0514