



SIRCO UL98

Load break switches standards UL and CSA
100 to 1200 A

Load break
switches



sirco_093_b_1_cat

SIRCO 3 x 600 A



sirco-ul_022_b_1_cat

SIRCO 3 x 200 A

Function

SIRCO non fusible disconnect switches are heavy duty switches that break and make power circuits on and off load and provide safety isolation.

These switches are extremely durable and are tested and approved for use in the most demanding applications.

General characteristics

- Positive break indication.
- Fully visualised disconnection.
- High thermal and dynamic withstand.
- Severe utilisation categories.
- High electrical and mechanical endurance.

The solution for

- > Power distribution.



Strong points

- > Reliability.
- > Safety of property and personnel.
- > Simplicity.
- > Easy assembling.

Conformity to standards⁽¹⁾

- > IEC 60947-3
- > UL98, Guide WHTY, file E201138
- > CSA Pending 22.2#4, Class 4652-04, file 703166



⁽¹⁾ Product reference on request.

Customised solutions

- > Please consult us.

References

| Rating (A) | No. of poles | Switch body | Direct handle | External handle | Shaft for external handle | Auxiliary contacts | Terminal protection screens | Terminal Lugs kits | | | | | | | | | | | | | | | | | | | | | | | | | | | | | | | | | | | | | | | | | | | | | | | | | | | | | | | | |
|------------|--------------|------------------|---------------------------|--|---|--|---|--|---|---|--|--|---|--|--|---|--|--|--|---------------------------|--|--|---------------------------|--|---|---|--|--|--|--|--|---|--|---------------------------|--|--|---|--|--|--|------------------|---------------------------|--|---|---|--|--|---|---|--|--|--|---|--|--|---|--|--|-----|------------------|---------------------------|--|--|---|
| 100 A | 3 P | 2700 3011 | Black 2699 5052 | S2 type Black 1, 3R, 12 142F 2111 ⁽¹⁾ | 200 mm 7.9 inches 1400 1020 | 1 st contact NO/NC 2799 0021 2 nd contact NO/NC 2799 0022 | 3 P 2798 3021 ⁽²⁾ 3 P 2798 8021 ⁽³⁾ 4 P 2798 4021 ⁽⁴⁾ | 3 P 3954 3020 ⁽⁴⁾ 4 P 3954 4020 ⁽⁴⁾ | | | | | | | | | | | | | | | | | | | | | | | | | | | | | | | | | | | | | | | | | | | | | | | | | | | | | | | | |
| | 4 P | 2700 4011 | | Red/Yellow 1, 3R, 12 142G 2111 ⁽¹⁾ | | | | | 320 mm 12.6 inches 1400 1032 | 200 A | 3 P | 2700 3021 | Black 4, 4X 142D 2111 ⁽¹⁾ | 400 mm 15.7 inches 1400 1040 | 3 P 2798 3041 ⁽²⁾ 3 P 2798 8041 ⁽³⁾ 4 P 2798 4041 ⁽⁴⁾ | 3 P 3954 3040 ⁽⁴⁾ 4 P 3954 4040 ⁽⁴⁾ | 4 P | 2700 4021 | Red/Yellow 4, 4X 142E 2111 ⁽¹⁾ | 400 A | 3 P | 2700 3060 | Black 3799 6012 | S3 type Black 4, 4X 143D 3111 ⁽¹⁾ | 200 mm 7.9 inches 1401 1520 | Contact holder 3999 0720 ⁽⁵⁾ Contact NO 3999 0701 Contact NC 3999 0702 | 3 P 2798 3060 ⁽⁴⁾ 4 P 2798 4060 ⁽⁴⁾ | 3 P 3954 3060 4 P 3954 4060 | 4 P | 2700 4060 | Red/Yellow 4, 4X 143E 3111 ⁽¹⁾ | 320 mm 12.6 inches 1401 1532 | 600 A | 3 P | 2700 3080 | 3 P 2798 3120 ⁽⁴⁾ 4 P 2798 4120 ⁽⁴⁾ | 3 P 3954 3120 4 P 3954 4120 | 4 P | 2700 4080 | 800 A | 3 P | 2700 3100 | Red/Yellow 4, 4X 143E 3111 ⁽¹⁾ | 400 mm 15.7 inches 1401 1540 | 4 P | 2700 4100 | 1000 A | 3 P | 2700 3120 | Black 3799 6012 | S3 type Black 4, 4X 143D 3111 ⁽¹⁾ | 200 mm 7.9 inches 1401 1520 | Contact holder 3999 0720 ⁽⁵⁾ Contact NO 3999 0701 Contact NC 3999 0702 | 3 P 2798 3120 ⁽⁴⁾ 4 P 2798 4120 ⁽⁴⁾ | 3 P 3954 3120 4 P 3954 4120 | 4 P | 2700 4120 | 1200 A | 3 P | 2700 3120 | Black 3799 6012 | S3 type Black 4, 4X 143D 3111 ⁽¹⁾ | 200 mm 7.9 inches 1401 1520 | Contact holder 3999 0720 ⁽⁵⁾ Contact NO 3999 0701 Contact NC 3999 0702 |
| 200 A | 3 P | 2700 3021 | | | Black 4, 4X 142D 2111 ⁽¹⁾ | | 400 mm 15.7 inches 1400 1040 | 3 P 2798 3041 ⁽²⁾ 3 P 2798 8041 ⁽³⁾ 4 P 2798 4041 ⁽⁴⁾ | | | 3 P 3954 3040 ⁽⁴⁾ 4 P 3954 4040 ⁽⁴⁾ | | | | | | | | | | | | | | | | | | | | | | | | | | | | | | | | | | | | | | | | | | | | | | | | | | | | | |
| | 4 P | 2700 4021 | | Red/Yellow 4, 4X 142E 2111 ⁽¹⁾ | | | | | 400 A | 3 P | | 2700 3060 | Black 3799 6012 | S3 type Black 4, 4X 143D 3111 ⁽¹⁾ | 200 mm 7.9 inches 1401 1520 | Contact holder 3999 0720 ⁽⁵⁾ Contact NO 3999 0701 Contact NC 3999 0702 | 3 P 2798 3060 ⁽⁴⁾ 4 P 2798 4060 ⁽⁴⁾ | 3 P 3954 3060 4 P 3954 4060 | 4 P | 2700 4060 | Red/Yellow 4, 4X 143E 3111 ⁽¹⁾ | 320 mm 12.6 inches 1401 1532 | | 600 A | 3 P | | 2700 3080 | 3 P 2798 3120 ⁽⁴⁾ 4 P 2798 4120 ⁽⁴⁾ | 3 P 3954 3120 4 P 3954 4120 | 4 P | 2700 4080 | 800 A | 3 P | 2700 3100 | Red/Yellow 4, 4X 143E 3111 ⁽¹⁾ | 400 mm 15.7 inches 1401 1540 | 4 P | 2700 4100 | 1000 A | 3 P | 2700 3120 | Black 3799 6012 | S3 type Black 4, 4X 143D 3111 ⁽¹⁾ | 200 mm 7.9 inches 1401 1520 | Contact holder 3999 0720 ⁽⁵⁾ Contact NO 3999 0701 Contact NC 3999 0702 | 3 P 2798 3120 ⁽⁴⁾ 4 P 2798 4120 ⁽⁴⁾ | 3 P 3954 3120 4 P 3954 4120 | 4 P | 2700 4120 | 1200 A | 3 P | 2700 3120 | Black 3799 6012 | S3 type Black 4, 4X 143D 3111 ⁽¹⁾ | 200 mm 7.9 inches 1401 1520 | Contact holder 3999 0720 ⁽⁵⁾ Contact NO 3999 0701 Contact NC 3999 0702 | 3 P 2798 3120 ⁽⁴⁾ 4 P 2798 4120 ⁽⁴⁾ | 3 P 3954 3120 4 P 3954 4120 | 4 P | 2700 4120 | | | | |
| 400 A | 3 P | 2700 3060 | | | Black 3799 6012 | | S3 type Black 4, 4X 143D 3111 ⁽¹⁾ | 200 mm 7.9 inches 1401 1520 | | Contact holder 3999 0720 ⁽⁵⁾ Contact NO 3999 0701 Contact NC 3999 0702 | 3 P 2798 3060 ⁽⁴⁾ 4 P 2798 4060 ⁽⁴⁾ | 3 P 3954 3060 4 P 3954 4060 | | | | | | | | | | | | | | | | | | | | | | | | | | | | | | | | | | | | | | | | | | | | | | | | | | | | |
| | 4 P | 2700 4060 | | Red/Yellow 4, 4X 143E 3111 ⁽¹⁾ | | | | | 320 mm 12.6 inches 1401 1532 | | | | | 600 A | 3 P | | 2700 3080 | 3 P 2798 3120 ⁽⁴⁾ 4 P 2798 4120 ⁽⁴⁾ | 3 P 3954 3120 4 P 3954 4120 | 4 P | 2700 4080 | 800 A | | 3 P | 2700 3100 | | Red/Yellow 4, 4X 143E 3111 ⁽¹⁾ | 400 mm 15.7 inches 1401 1540 | 4 P | 2700 4100 | 1000 A | 3 P | 2700 3120 | Black 3799 6012 | S3 type Black 4, 4X 143D 3111 ⁽¹⁾ | 200 mm 7.9 inches 1401 1520 | Contact holder 3999 0720 ⁽⁵⁾ Contact NO 3999 0701 Contact NC 3999 0702 | 3 P 2798 3120 ⁽⁴⁾ 4 P 2798 4120 ⁽⁴⁾ | 3 P 3954 3120 4 P 3954 4120 | 4 P | 2700 4120 | 1200 A | 3 P | 2700 3120 | Black 3799 6012 | S3 type Black 4, 4X 143D 3111 ⁽¹⁾ | 200 mm 7.9 inches 1401 1520 | Contact holder 3999 0720 ⁽⁵⁾ Contact NO 3999 0701 Contact NC 3999 0702 | 3 P 2798 3120 ⁽⁴⁾ 4 P 2798 4120 ⁽⁴⁾ | 3 P 3954 3120 4 P 3954 4120 | 4 P | 2700 4120 | | | | | | | | | | | | |
| 600 A | 3 P | 2700 3080 | | | | | 3 P 2798 3120 ⁽⁴⁾ 4 P 2798 4120 ⁽⁴⁾ | 3 P 3954 3120 4 P 3954 4120 | | | | | | | | | | | | | | | | | | | | | | | | | | | | | | | | | | | | | | | | | | | | | | | | | | | | | | | | |
| | 4 P | 2700 4080 | | 800 A | | | | | 3 P | | 2700 3100 | Red/Yellow 4, 4X 143E 3111 ⁽¹⁾ | | 400 mm 15.7 inches 1401 1540 | 4 P | | 2700 4100 | 1000 A | 3 P | 2700 3120 | Black 3799 6012 | S3 type Black 4, 4X 143D 3111 ⁽¹⁾ | | 200 mm 7.9 inches 1401 1520 | Contact holder 3999 0720 ⁽⁵⁾ Contact NO 3999 0701 Contact NC 3999 0702 | | 3 P 2798 3120 ⁽⁴⁾ 4 P 2798 4120 ⁽⁴⁾ | 3 P 3954 3120 4 P 3954 4120 | 4 P | 2700 4120 | 1200 A | 3 P | 2700 3120 | Black 3799 6012 | S3 type Black 4, 4X 143D 3111 ⁽¹⁾ | 200 mm 7.9 inches 1401 1520 | Contact holder 3999 0720 ⁽⁵⁾ Contact NO 3999 0701 Contact NC 3999 0702 | 3 P 2798 3120 ⁽⁴⁾ 4 P 2798 4120 ⁽⁴⁾ | 3 P 3954 3120 4 P 3954 4120 | 4 P | 2700 4120 | | | | | | | | | | | | | | | | | | | | | | | |
| 800 A | 3 P | 2700 3100 | | | | | Red/Yellow 4, 4X 143E 3111 ⁽¹⁾ | 400 mm 15.7 inches 1401 1540 | 4 P | | 2700 4100 | | | | 1000 A | | 3 P | | 2700 3120 | Black 3799 6012 | | | | | | | | | S3 type Black 4, 4X 143D 3111 ⁽¹⁾ | 200 mm 7.9 inches 1401 1520 | | Contact holder 3999 0720 ⁽⁵⁾ Contact NO 3999 0701 Contact NC 3999 0702 | 3 P 2798 3120 ⁽⁴⁾ 4 P 2798 4120 ⁽⁴⁾ | | | | | | | 3 P 3954 3120 4 P 3954 4120 | 4 P | 2700 4120 | 1200 A | 3 P | 2700 3120 | Black 3799 6012 | S3 type Black 4, 4X 143D 3111 ⁽¹⁾ | 200 mm 7.9 inches 1401 1520 | Contact holder 3999 0720 ⁽⁵⁾ Contact NO 3999 0701 Contact NC 3999 0702 | 3 P 2798 3120 ⁽⁴⁾ 4 P 2798 4120 ⁽⁴⁾ | 3 P 3954 3120 4 P 3954 4120 | 4 P | 2700 4120 | | | | | | | | | | | |
| | 4 P | 2700 4100 | | | | | | | | | | | | | | | | | | | | | | | | | | | | | | | | | | | | | | | | | | | | | | | | | | | | | | | | | | | | | | |
| 1000 A | 3 P | 2700 3120 | | Black 3799 6012 | | | S3 type Black 4, 4X 143D 3111 ⁽¹⁾ | 200 mm 7.9 inches 1401 1520 | Contact holder 3999 0720 ⁽⁵⁾ Contact NO 3999 0701 Contact NC 3999 0702 | | 3 P 2798 3120 ⁽⁴⁾ 4 P 2798 4120 ⁽⁴⁾ | 3 P 3954 3120 4 P 3954 4120 | | | | | | | | | | | | | | | | | | | | | | | | | | | | | | | | | | | | | | | | | | | | | | | | | | | | |
| | 4 P | 2700 4120 | | | | | | | | | | | | | | | | | | | | | | | | | | | | | | | | | | | | | | | | | | | | | | | | | | | | | | | | | | | | | | |
| 1200 A | 3 P | 2700 3120 | Black 3799 6012 | S3 type Black 4, 4X 143D 3111 ⁽¹⁾ | | 200 mm 7.9 inches 1401 1520 | Contact holder 3999 0720 ⁽⁵⁾ Contact NO 3999 0701 Contact NC 3999 0702 | 3 P 2798 3120 ⁽⁴⁾ 4 P 2798 4120 ⁽⁴⁾ | 3 P 3954 3120 4 P 3954 4120 | | | | | | | | | | | | | | | | | | | | | | | | | | | | | | | | | | | | | | | | | | | | | | | | | | | | | | | |
| | 4 P | 2700 4120 | | | | | | | | | | | | | | | | | | | | | | | | | | | | | | | | | | | | | | | | | | | | | | | | | | | | | | | | | | | | | | |

(1) Defeatable handle.

(2) Top.

(3) Bottom.

(4) Top or bottom.

(5) Max. 4 ACs.

Accessories

Direct operation handle

| Rating (A) | Colour | Handle | Reference |
|--------------|--------|--------|------------------|
| 100 ... 400 | Black | B type | 2699 5052 |
| 600 ... 1200 | Black | H type | 3799 6012 |



SIRCO UL98

Load break switches standards UL and CSA
100 to 1200 A

Accessories (continued)

External operation handle

Use

The interlocking function of the front external handle prevents the user from opening the door of the enclosure when the switch is in the "ON" position or when the switch is padlocked in the "OFF" position (S1, S2, S3 and S4 type handles only).

Opening the door when the switch is in the "ON" position is possible by defeating the interlocking function with the use of a tool (authorised persons only). The interlocking function is restored when the door is closed.

Front handle I - 0

| Rating (A) | Handle | Colour | Nema type | Reference |
|--------------|---------|------------|-----------|-----------|
| 100 ... 400 | S2 type | Black | 1, 3R, 12 | 142F 2111 |
| 100 ... 400 | S2 type | Red/Yellow | 1, 3R, 12 | 142G 2111 |
| 100 ... 400 | S2 type | Black | 4, 4X | 142D 2111 |
| 100 ... 400 | S2 type | Red/Yellow | 4, 4X | 142E 2111 |
| 600 ... 1200 | S3 type | Black | 4, 4X | 143D 3111 |
| 600 ... 1200 | S3 type | Red/Yellow | 4, 4X | 143E 3111 |
| 600 ... 1200 | S4 type | Black | 4, 4X | 144D 3111 |
| 600 ... 1200 | S4 type | Red/Yellow | 4, 4X | 144E 3111 |

Front handle heavy duty I - 0 with metallic lever

| Rating (A) | Handle | Colour | Nema type | Reference |
|--------------|---------|------------|-----------|-----------|
| 100 ... 400 | S2 type | Black | 4, 4X | 142D 2911 |
| 100 ... 400 | S2 type | Red/Yellow | 4, 4X | 142E 2911 |
| 600 ... 1200 | S3 type | Black | 4, 4X | 143D 3911 |
| 600 ... 1200 | S3 type | Red/Yellow | 4, 4X | 143E 3911 |
| 600 ... 1200 | S4 type | Black | 4, 4X | 144D 3911 |
| 600 ... 1200 | S4 type | Red/Yellow | 4, 4X | 144E 3911 |



S2 type handle

access_150_a_1_cat



S3 type handle

access_166_a_2_cat



S4 type handle

access_152_a_2_cat



Heavy duty S2 type handle

access_236_a_2_cat

Shaft for external handle

Use

Standard lengths:

- 7.9 in / 200 mm,
- 12.6 in / 320 mm,
- 15.7 in / 400 mm.

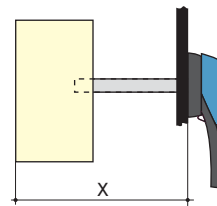
Other lengths: please consult us.

| Rating (A) | Dimension X (in) | Dimension X (mm) | Handle | Length (inches) | Length (mm) | Reference |
|--------------|------------------|------------------|-------------|-----------------|-------------|-----------|
| 100 ... 400 | 5.31 ... 10.43 | 135 ... 265 | S2 type | 7.9 | 200 | 1400 1020 |
| 100 ... 400 | 5.31 ... 15.16 | 135 ... 385 | S2 type | 12.6 | 320 | 1400 1032 |
| 100 ... 400 | 5.31 ... 18.31 | 135 ... 465 | S2 type | 15.7 | 400 | 1400 1040 |
| 600 ... 1200 | 8.70 ... 13.50 | 221 ... 343 | S3, S4 type | 7.9 | 200 | 1401 1520 |
| 600 ... 1200 | 8.70 ... 18.23 | 221 ... 463 | S3, S4 type | 12.6 | 320 | 1401 1532 |
| 600 ... 1200 | 8.70 ... 21.38 | 221 ... 543 | S3, S4 type | 15.7 | 400 | 1401 1540 |

access_369_a_1_cat



access_144_b_1_cat



access_202_a

Alternative colour S-type handle cover

Use

For single lever handles type S1, S2, S3 and double lever handle, type S4.

Other colours: please consult us.

| Handle colour | Pack qty | Handle | Reference |
|---------------|----------|-------------|-----------|
| Light grey | 50 | S2, S3 type | 1401 0001 |
| Dark grey | 50 | S2, S3 type | 1401 0011 |
| Light grey | 50 | S4 type | 1401 0031 |
| Dark grey | 50 | S4 type | 1401 0041 |



access_198_a_1_cat

S-type handle raiser

Use

Enables S-type handles to be fitted in place of existing older style Socomec handles. Adapter can also be utilised as a spacer to increase the distance between the panel door and the handle lever.

Dimensions

Adds 12 mm to the depth.

| Handle colour | Pack qty | Nema type | Reference |
|---------------|----------|-----------|-----------|
| Black | 10 | 1, 3R, 12 | 1493 0000 |



access_187_a_1_cat

Shaft guide for external handle

Use

This accessory makes shaft introduction easier with up to 15 mm misalignment.

Required for a shaft length over 400 mm.

| Description | Reference |
|-------------|-----------|
| Shaft guide | 1429 0000 |



access_260_a_2_cat

Auxiliary Contacts

Use

Pre-break and signalling of positions 0 and I.

Electrical characteristics

A300 for 100 to 400 A.

A600 for 600 to 1200 A.

NO/NC contact for 100 ... 400 A

| Rating (A) | No. of AC | Reference |
|-------------|-----------------|-----------|
| 100 ... 400 | 1 st | 2799 0021 |
| 100 ... 400 | 2 nd | 2799 0022 |

NO/NC contact for 100 ... 400 A

| Rating (A) | No. of AC | Reference |
|-------------|-----------------|-----------|
| 100 ... 400 | 1 st | 2799 0121 |
| 100 ... 400 | 2 nd | 2699 0122 |

Auxiliary contact holder for 600 ... 1200 A

| Rating (A) | Type | Reference |
|--------------|--------|--------------------------|
| 600 ... 1200 | Holder | 3999 0720 ⁽¹⁾ |
| 600 ... 1200 | NO | 3999 0701 |
| 600 ... 1200 | NC | 3999 0702 |

(1) Please order the holder.



access_076_a_1_cat



access_045_a_1_cat

Terminal screens

Use

Top or bottom protection against direct contact with terminals or connection parts.

| Rating (A) | No. of poles | Position | Reference |
|--------------|--------------|--------------|--------------------------|
| 100 ... 200 | 3 P | top | 2798 3021 |
| 100 ... 200 | 3 P | bottom | 2798 8021 |
| 100 ... 200 | 4 P | top / bottom | 2798 4021 |
| 400 | 3 P | top | 2798 3041 |
| 400 | 3 P | bottom | 2798 8041 |
| 400 | 4 P | top / bottom | 2798 4041 |
| 600 | 3 P | bottom | 2798 3060 ⁽¹⁾ |
| 600 | 4 P | bottom | 2798 4060 ⁽¹⁾ |
| 800 ... 1200 | 3 P | bottom | 2798 3120 ⁽¹⁾ |
| 800 ... 1200 | 4 P | bottom | 2798 4120 ⁽¹⁾ |

(1) Load side screen, the line side is included with the switch.



access_079_a_1_cat

Terminal lugs

Use

Connection of bare copper cables onto the lugs (without lugs).

| Rating max (A) | Wires range | No wires per lug | Lugs per kit | Wires | Reference |
|----------------|------------------|------------------|--------------|---------|-----------|
| 100 ... 200 | 6 - 300MCM | 1 | 2 | Cu / Al | 3954 2020 |
| 100 ... 200 | 6 - 300MCM | 1 | 3 | Cu / Al | 3954 3020 |
| 100 ... 200 | 6 - 300MCM | 1 | 4 | Cu / Al | 3954 4020 |
| 400 | 2 - 600MCM | 1 | 2 | Cu / Al | 3954 2040 |
| 400 | 2 - 600MCM | 1 | 3 | Cu / Al | 3954 3040 |
| 400 | 2 - 600MCM | 1 | 4 | Cu / Al | 3954 4040 |
| 400 | 2x (#6 - 350MCM) | 2 | 2 | Cu / Al | 3954 2041 |
| 400 | 2x (#6 - 350MCM) | 2 | 3 | Cu / Al | 3954 3041 |
| 400 | 2x (#6 - 350MCM) | 2 | 4 | Cu / Al | 3954 4041 |
| 600 | 2x (#2 - 600MCM) | 1 | 2 | Cu / Al | 3954 2060 |
| 600 | 2x (#2 - 600MCM) | 2 | 3 | Cu / Al | 3954 3060 |
| 600 | 2x (#2 - 600MCM) | 2 | 4 | Cu / Al | 3954 4060 |
| 800 ... 1200 | 4x (#2 - 600MCM) | 2 | 6 | Cu / Al | 3954 3120 |
| 800 ... 1200 | 4x (#2 - 600MCM) | 2 | 8 | Cu / Al | 3954 4120 |



ul_032_a

SIRCO UL98

Load break switches standards UL and CSA
100 to 1200 A

Characteristics

Characteristics according to UL98/CSA22.2#4

| SIRCO UL98 - 100 to 1200 A | | | | | | | |
|--|----------|-----------|-----------------|-----------|-----------|-----------|-----------|
| General use rating (A) | 100 A | 200 A | 400 A | 600 A | 800 A | 1000 A | 1200 A |
| Short circuit rating at 600 VAC (kA) | 200 | 200 | 200 | 200 | 100 | 100 | 100 |
| Type of fuse | J | J | J | J | L | L | L |
| Max. fuse rating (A) | 100 | 200 | 400 | 600 | 800 | 1000 | 1200 |
| Max. motor hp / FLA 3 ph motor max. | | | | | | | |
| 220-240 VAC | 30 / 80 | 75 / 196 | 125 / 312 | 200 / 480 | 200 / 480 | 200 / 480 | 200 / 480 |
| 440-480 VAC | 75 / 96 | 150 / 180 | 250 / 302 | 400 / 477 | 500 / 590 | 500 / 590 | 500 / 590 |
| 600 VAC | 100 / 99 | 200 / 192 | 350 / 336 | 350 / 336 | 500 / 472 | 500 / 472 | 500 / 472 |
| Max. motor hp / DC FLA motor max. | | | | | | | |
| 125 VDC ⁽¹⁾ | 10 / 76 | 15 / 112 | 20 / 148 | 20 / 148 | | | |
| 250 VDC ⁽²⁾ | 15 / 55 | 15 / 55 | 50 / 173 | 50 / 173 | | | |
| Connection terminals | | | | | | | |
| Min. connection section / AWG | #6 | #6 | 2x #6 / #2 | 2x #2 | 4x #2 | 4x #2 | 4x #2 |
| Max. connection section / AWG | 300MCM | 300MCM | 2x 350 / 600MCM | 2x 600MCM | 4x 600MCM | 4x 600MCM | 4x 600MCM |
| Mechanical characteristics | | | | | | | |
| Endurance (number of operating cycles) | 10000 | 8000 | 6000 | 6000 | 3500 | 3500 | 3500 |
| Operating torque (lbs.in/Nm) | 88.5/10 | 88.5/10 | 128.3/14.5 | 327.5/37 | 442.5/50 | 442.5/50 | 442.5/50 |
| Auxiliary contacts | | | | | | | |
| Electrical characteristics | A300 | A300 | A300 | A600 | A600 | A600 | A600 |

(1) 2 pole in series.

(2) 3 pole in series.

Characteristics according to IEC 60947-3

| SIRCO UL98 - 100 to 1200 A | | | | | | | |
|--|-----------------------------|------------------------|------------------------|------------------------|------------------------|------------------------|------------------------|
| Thermal current I _{th} (40°C) | 100 A | 200 A | 400 A | 600 A | 800 A | 1000 A | 1200 A |
| Rated insulation voltage U _i (V) | 1000 | 1000 | 1000 | 1000 | 1000 | 1000 | 1000 |
| Rated impulse withstand voltage U _{imp} (kV) | 12 | 12 | 12 | 12 | 12 | 12 | 12 |
| Rated operational currents I_e (A) | | | | | | | |
| Rated voltage | Utilisation category | A⁽¹⁾ | A⁽¹⁾ | A⁽¹⁾ | A⁽¹⁾ | A⁽¹⁾ | A⁽¹⁾ |
| 400 VAC | AC-22 A | 100 | 200 | 400 | 630 | 800 | 1000 |
| 400 VAC | AC-23 A | 100 | 200 | 400 | 630 | 800 | 1000 |
| 690 VAC | AC-22 A | 100 | 200 | 400 | 500 | 630 | 630 |
| 690 VAC | AC-23 A | 100 | 200 | 315 | 200 | 400 | 400 |
| Connection | | | | | | | |
| Min. Cu cable cross section (mm ²) | 35 | 70 | 185 | 2 x 150 | 2 x 185 | 2 x 240 | |
| Min. Cu busbar section (mm ²) | | | | 2 x 30 x 5 | 2 x 40 x 5 | 2 x 50 x 5 | 2 x 60 x 5 |
| Operational power in AC-23 (kW) | | | | | | | |
| At 400 VAC without prebreaking AC in AC23 (kW) ⁽²⁾⁽³⁾ | 51 | 100 | 220 | 355 | 450 | 560 | 560 |
| At 500 VAC without prebreaking AC in AC23 (kW) ⁽²⁾⁽³⁾ | 63 | 140 | 280 | 450 | 560 | 560 | 560 |
| At 690 VAC without prebreaking AC in AC23 (kW) ⁽²⁾⁽³⁾ | 90 | 185 | 185 | 185 | 400 | 400 | 400 |
| Overload capacity (U_e 415 VAC) | | | | | | | |
| Rated short-circuit making capacity I _{cm} (kA peak) ⁽⁴⁾ | 17,6 | 32 | 48 | 48 | 75 | 48 | 75 |

(1) Category with index A = frequent operation.

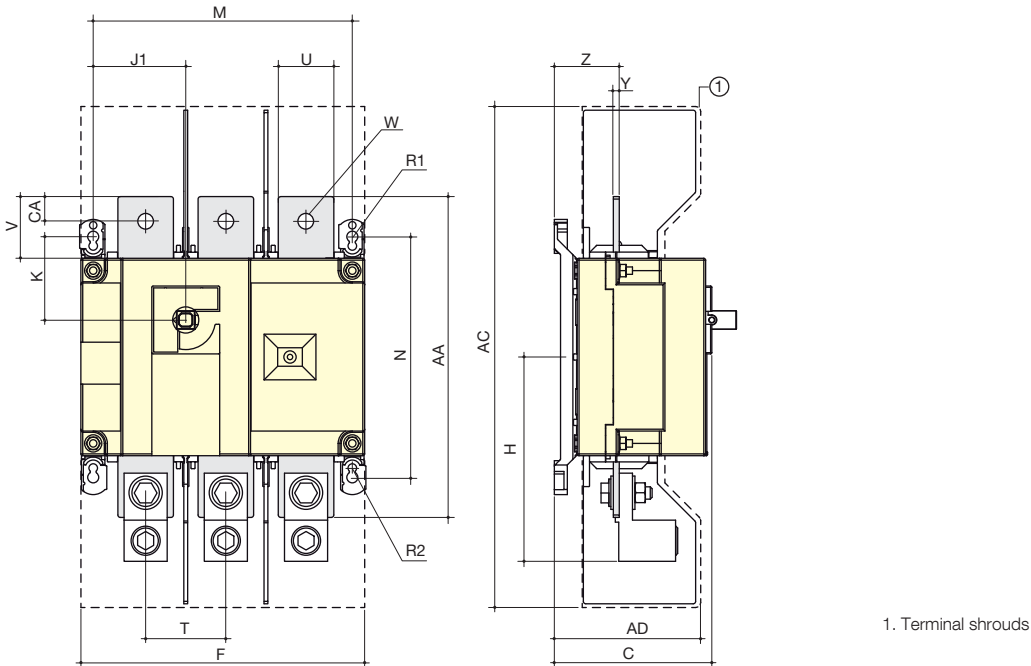
(2) A/B: Category with index A = frequent operation - Category with index B = infrequent operation.

(3) The power value is given for information only, the current values vary from one manufacturer to another.

(4) For a rated operating voltage U_e = 400 VAC.

Dimensions (in / mm)

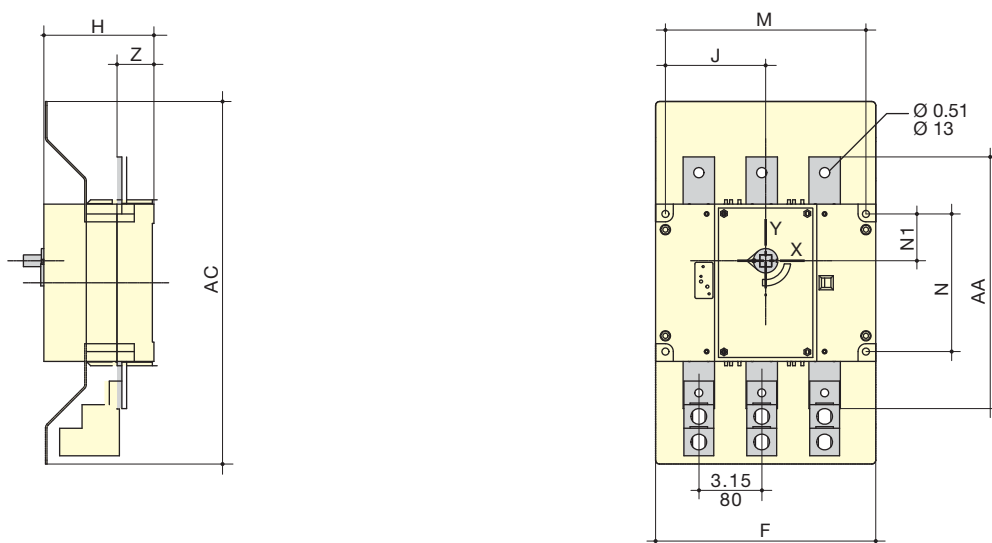
100 to 400 A



sirco-ul_011_a_2_x_cat

| Rating (A) | Overall dimensions | | Terminal shrouds | | Switch body | | | | | | Switch mounting | | | | | Connection | | | | | | | |
|------------|--------------------|------|------------------|------|-------------|-------|------|--------|--------|------|-----------------|-------|------|------|------|------------|------|------|------|------|------|------|-----|
| | Unit | C | AC | AD | F 3p. | F 4p. | H | J1 3p. | J1 4p. | K | M 3p. | M 4p. | N | R1 | R2 | T | U | V | W | Y | Z | AA | CA |
| 100 | in | 3.72 | 10.1 | 3.05 | 7.09 | 9.06 | 4.22 | 2.17 | 4.13 | 1.8 | 6.3 | 8.7 | 5.31 | 0.35 | 0.27 | 1.97 | 0.98 | 1.18 | 0.43 | 0.14 | 1.35 | 6.3 | 0.6 |
| | mm | 94.6 | 256 | 77.5 | 180 | 230 | 107 | 55 | 105 | 45.6 | 160 | 210 | 135 | 9 | 7 | 50 | 25 | 30 | 11 | 3.5 | 34.4 | 160 | 15 |
| 200 | in | 3.72 | 10.1 | 3.05 | 7.09 | 9.06 | 4.22 | 2.17 | 4.13 | 1.8 | 6.3 | 8.27 | 5.31 | 0.35 | 0.27 | 1.97 | 0.98 | 1.18 | 0.43 | 0.14 | 1.35 | 6.3 | 0.6 |
| | mm | 94.6 | 256 | 77.5 | 180 | 230 | 107 | 55 | 105 | 45.6 | 160 | 210 | 135 | 9 | 7 | 50 | 25 | 30 | 11 | 3.5 | 34.4 | 160 | 15 |
| 400 | in | 4.92 | 16 | 4.15 | 9.05 | 11.4 | 6.53 | 2.95 | 5.31 | 2.65 | 8.26 | 10.6 | 7.67 | 0.35 | 0.27 | 2.56 | 1.77 | 1.97 | 0.43 | 0.2 | 2.08 | 10.2 | 0.8 |
| | mm | 128 | 406 | 115 | 230 | 290 | 166 | 75 | 135 | 67.5 | 210 | 270 | 195 | 9 | 7 | 65 | 45 | 50 | 13 | 5 | 53 | 260 | 20 |

600 A



sirco_107_d1_1_x_cat

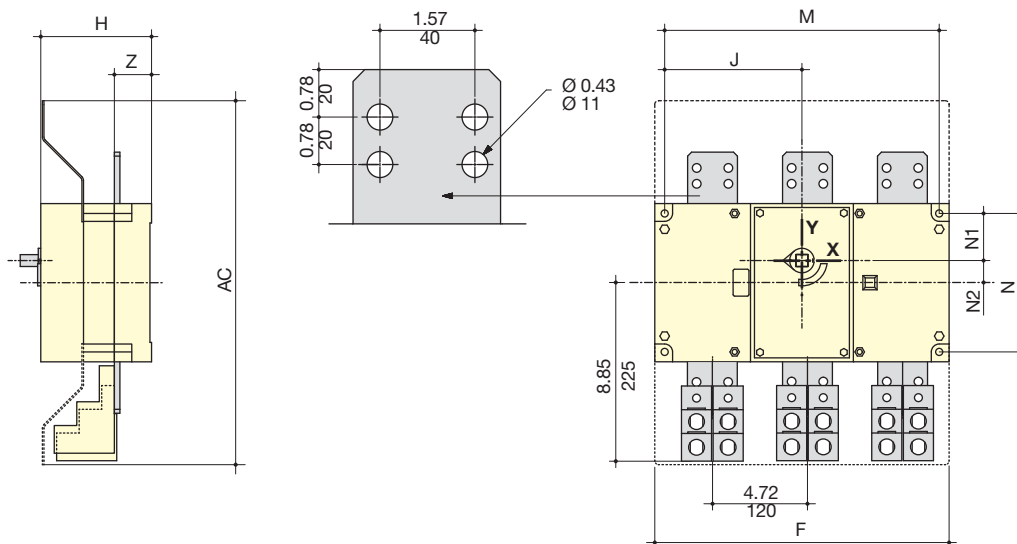
| Rating (A) | Unit | Terminal shrouds | Switch body | | | | | Switch mounting | | | | Connection | |
|------------|------|------------------|-------------|-------|-----|-------|-------|-----------------|-------|------|------|------------|------|
| | | AC | F 3p. | F 4p. | H | J 3p. | J 4p. | M 3p. | M 4p. | N | N1 | AA | Z |
| 600 | in | 18.12 | 11 | 14.17 | 5.5 | 5 | 6.59 | 10.03 | 13.19 | 6.88 | 2.34 | 12.6 | 1.85 |
| | mm | 460 | 280 | 360 | 140 | 127.5 | 167.5 | 255 | 335 | 175 | 59.5 | 320 | 47 |

SIRCO UL98

Load break switches standards UL and CSA
100 to 1200 A

Dimensions (in/mm) (continued)

800 to 1200 A

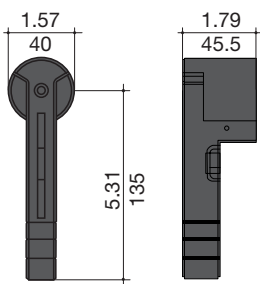


sirco_228_d_1_x_cat

| Rating (A) | Unit | Terminal shrouds | | | Switch body | | | | Switch mounting | | | | Connection | |
|------------|------|------------------|-------|-------|-------------|-------|-------|-------|-----------------|------|------|------|------------|--|
| | | AC | F 3p. | F 4p. | H | J 3p. | J 4p. | M 3p. | M 4p. | N | N1 | AA | Z | |
| 800 | in | 18.12 | 14.64 | 19.37 | 5.5 | 6.83 | 9.19 | 13.66 | 18.38 | 6.88 | 2.34 | 1.10 | 1.85 | |
| | mm | 460 | 372 | 492 | 140 | 173.5 | 233.5 | 347 | 467 | 175 | 59.5 | 28 | 47 | |
| 1 000 | in | 18.12 | 14.64 | 19.37 | 5.5 | 6.83 | 9.19 | 13.66 | 18.38 | 6.88 | 2.34 | 1.10 | 1.85 | |
| | mm | 460 | 372 | 492 | 140 | 173.5 | 233.5 | 347 | 467 | 175 | 59.5 | 28 | 47 | |
| 1 200 | in | 18.12 | 14.64 | 19.37 | 5.5 | 6.83 | 9.19 | 13.66 | 18.38 | 6.88 | 2.34 | 13 | 1.85 | |
| | mm | 460 | 372 | 492 | 140 | 173.5 | 233.5 | 347 | 467 | 175 | 59.5 | 330 | 47 | |

100 to 400 A

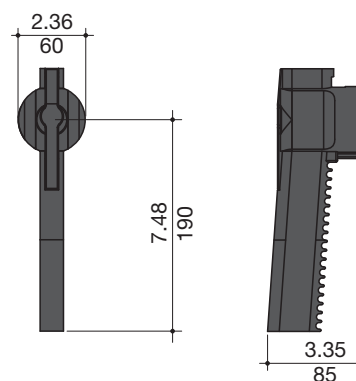
Front direct handle



sirco-ul_027_a_1_x_cat

600 to 1200 A

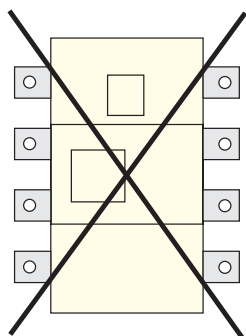
Front direct handle



sirco_267_b_1_x_cat

Mounting orientation

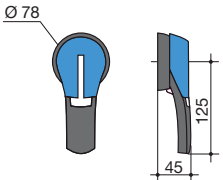
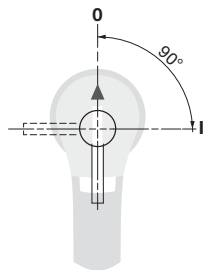
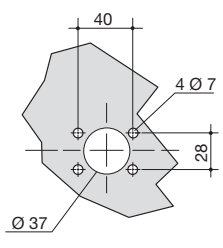
3/4 pole



sirco-ul_028_a_1_x_cat

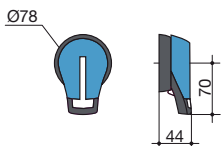
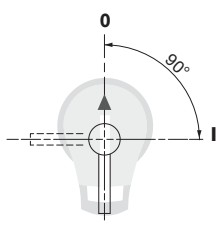
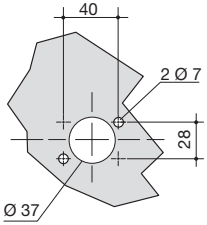
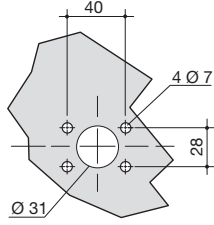
External handles dimensions (in/mm)

100 to 400 A

| Handle type | Front operation Direction of operation | Door drilling |
|---|---|--|
| S2 type  |  |  |

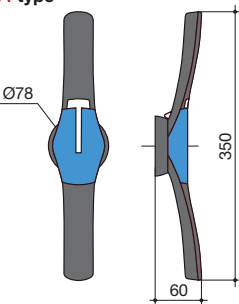
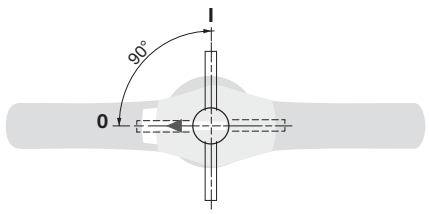
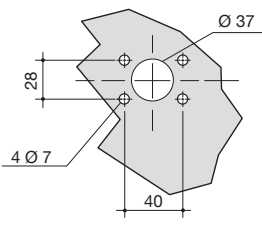
sirco-px_006_b_1_gb_cat

600 to 1200 A

| Handle type | Front operation Direction of operation | Door drilling template |
|---|--|--|
| S1 type Load break switches  |  | <div style="display: flex; justify-content: space-around;"> <div style="text-align: center;"> <p>IP65 with 2 fixing clips</p>  </div> <div style="text-align: center;"> <p>IP65 with 4 fixing screws</p>  </div> </div> |

sirco-ul_007_b_1_gb_cat

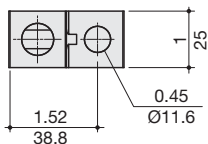
600 to 1200 A

| Handle type | Front operation Direction of operation | Door drilling |
|---|---|---|
| S4 type  |  |  |

sirco-ul_006_a_1_gb_cat

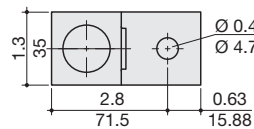
Terminal lugs (in/mm)

100 to 200 A



300 kcmil

400 A

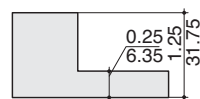
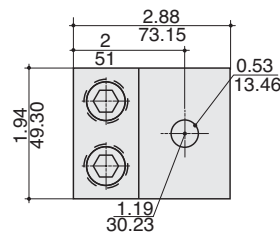


600 kcmil

sirco_115_b_1_x_cat

sirco-ul_010_a_1_x_cat

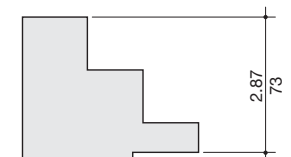
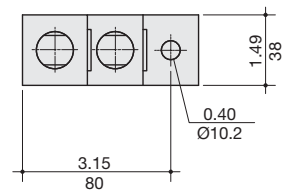
400 A



2 x 350 kcmil

sirco-ul_026_a_1_cat

600 to 1200 A



2 x 600 kcmil

sirco_116_b_1_x_cat