



TVSS SURGE SWITCH

Special designs

TVSS (Transient Voltage Surge Suppressor) Surge Switch

Load break
switches



SIRCO 200 A
3 pole

Strong points

- > Compact product.
- > High performance.

Conformity to standards⁽¹⁾

- > UL508, Guide NRNT, File E224992
- > IEC 60947-3



⁽¹⁾ Product reference on request.

Customised solutions

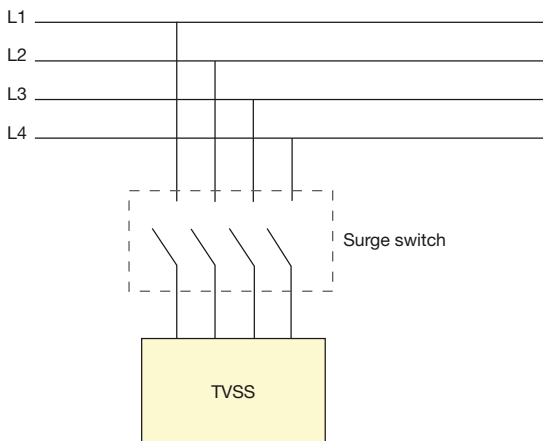
- > Please consult us.

Function

The **TVSS Surge Switch** is an extremely compact, high performance, manually operated, non-fused switch. It is specifically designed to withstand the high surge current of 200 kA with an 8 x 20 μ s waveform seen in today's transient voltage Surge Protective Device (SPD) applications. Socomec Surge Switch uses a unique contact design that actually clamp contacts tighter during a surge.

General characteristics

- 200 kA 8/20 μ s shockwave withstand.
- Rated 100 A 600 VAC UL508 general use.
- High electrical and mechanical endurance.



sirco-ul_021_a_1_x_cat

References

TVSS SURGE SWITCH - Front operation - 3/4 pole						
Rating (A)	No. of poles	Switch body	Direct handle	Door interlocked external	Shaft for external handle	Terminal shrouds
8/20 μ s 200 KA 600 VAC	3 P	2700 3017	Black 2699 5042	S1 type Black 141F 2111	200 mm 1400 1020	3 P 2694 3014⁽¹⁾
	4 P	2700 4017	Red 2699 5043	S1 type Black 141D 2111	320 mm 1400 1032	4 P 2694 4014⁽¹⁾
				S1 type Black 141E 2111	400 mm 1400 1040	

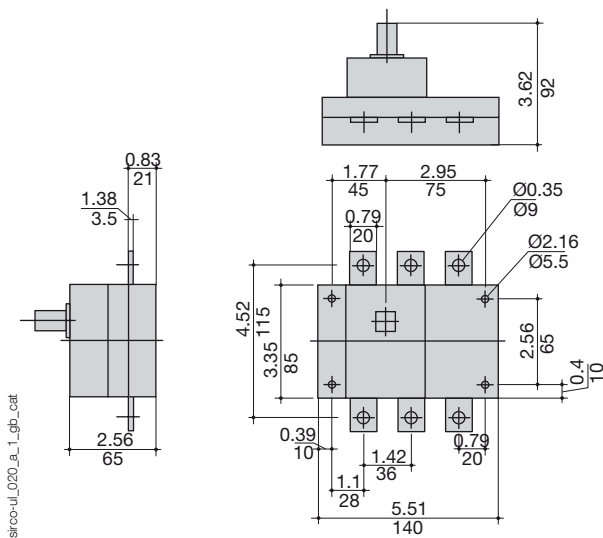
(1) Top or bottom.

UL characteristics

UL 508 100 A 600 VAC General use

Dimensions (in / mm)

3 pole



4 pole

