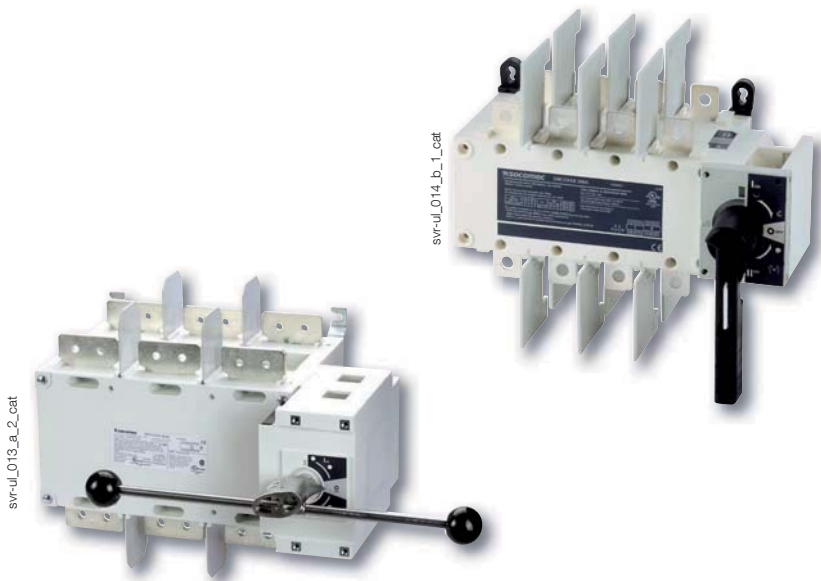




SIRCOVER UL1008/98

Changeover switches standards UL and CSA
100 to 1200 A

Changeover
switches



Conformity to standards⁽¹⁾

- > IEC 60947-3
- > UL98, Guide WHTY, file 201138
- > UL1008, Guide WPYV, file 317092
- > CSA 22.2#4, Class 4651-02



(1) Product reference on request.

Function

SIRCOVER UL UL1008/98 are heavy duty manual transfer switches. They ensure switching transfer of sources or transfer of two low voltage circuits on load as well as their safety disconnection.

These switches are extremely durable and are tested and approved for use in the most demanding applications, such as resistive load or total system applications.

Advantages

Stable positions

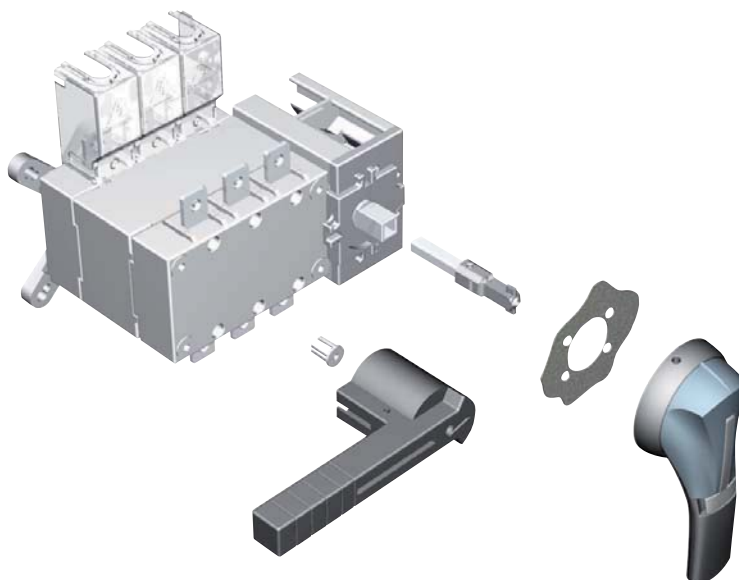
SIRCOVERs have three stable positions which are not affected by voltage drops or vibrations, thus protecting your load against network interference.

On load switching

The SIRCOVER UL enables secure and reliable switching, without the need for pre-breaking upstream.

Compact design

The Sircover are based on a back-to-back switching technology, providing a compact solution.



svr_136_a_2_cat

References

UL 1008 and UL98

Rating (A)	No. of poles	Switch body	Direct handle	External handle	Shaft for external handle	Bridging bars	Auxiliary contacts	Terminal screens
100 A	2 P	4150 2011		S2 type Black I - 0 - II 4, 4X 142D 2113	S2 type 200 mm 7.9 inches 1400 1020	2P 4159 2021 3P 4159 3021 4P 4159 4021		2P & 3P 4158 3021 4P 4158 4021
	3 P	4150 3011						
	4 P	4150 4011						
200 A	2 P	4150 2021	Black 4199 4012	S2 type Black I - 0 - II 4, 4X 142D 2813⁽¹⁾	320 mm 12.6 inches 1400 1032 400 mm 15.7 inches 1400 1040	4159 2021 4159 3021 4P 4159 4021	Contact NO/NC 4159 0021 Low level 4159 0022	4158 4021
	3 P	4150 3021						
	4 P	4150 4021						
400 A	2 P	4150 2041		S3 type Black I - 0 - II 4, 4X 143D 3113	S3, S4 type 200 mm 7.9 inches 1401 1520 320 mm 12.6 Inches 1401 1532	2P 4159 2041 3P 4159 3041 4P 4159 4041		2P & 3P 4158 3041 4P 4158 4041
	3 P	4150 3041						
	4 P	4150 4041						
600 A	3 P	4150 3060	Black 4199 7012		200 mm 7.9 inches 1401 1520 320 mm 12.6 Inches 1401 1532	3 P 4159 3063 4 P 4159 4063		3 P 1609 3063 4 P 1609 4063
	4 P	4150 4060						
800 A	3 P	4150 3080	Black 4199 7062	S4 type Black I - 0 - II 4, 4X 144D 3813⁽¹⁾	400 mm 15.7 Inches 1401 1540	3 P 4159 3080 4 P 4159 4080	Contact NO/NC as standard	3 P 1609 3080 4 P 1609 4080
	4 P	4150 4080						
1200 A	3 P	4150 3120						
	4 P	4150 4120						

(1) Padlockable in all 3 positions.

SIRCOVER UL1008/98

Changeover switches standards UL and CSA

100 to 1200 A

Accessories

Direct handle

Rating (A)	Colour	Handle type	Reference
100 ... 400	Black	1 lever	4199 4012
600 ... 1200	Black	2 lever	2799 7042



access_129_a_1_cat

External handle

Rating (A)	Handle type	Colour	Nema type	Lockable in 3 positions	Reference
100 ... 200	S2	Black	4, 4X	no	142D 2113
100 ... 200	S2	Red/Yellow	4, 4X	no	142E 2113
100 ... 200	S2	Black	1, 3R, 12	no	142F 2113
100 ... 200	S2	Red/Yellow	1, 3R, 12	no	142G 2113
100 ... 200	S2	Black	4, 4X	yes	142D 2813
100 ... 200	S2	Red/Yellow	4, 4X	yes	142E 2813
100 ... 200	S2	Black	1, 3R, 12	yes	142F 2813
100 ... 200	S2	Red/Yellow	1, 3R, 12	yes	142G 2813
400 ... 600	S3	Black	4, 4X	no	143D 3113
400 ... 600	S3	Red/Yellow	4, 4X	no	143E 3113
400 ... 600	S3	Black	1, 3R, 12	no	143F 3113
400 ... 600	S3	Red/Yellow	1, 3R, 12	no	143G 3113
400 ... 600	S3	Black	4, 4X	yes	143D 3813
400 ... 600	S3	Red/Yellow	4, 4X	yes	143E 3813
400 ... 600	S3	Black	1, 3R, 12	yes	143F 3813
400 ... 600	S3	Red/Yellow	1, 3R, 12	yes	143G 3813
800 ... 1200	S4	Black	4, 4X	no	144D 3113
800 ... 1200	S4	Black	1, 3R, 12	no	144E 3113
800 ... 1200	S4	Black	1, 3R, 12	no	144E 3113
800 ... 1200	S4	Red/Yellow	1, 3R, 12	no	144G 3113
800 ... 1200	S4	Black	4, 4X	yes	144D 3813
800 ... 1200	S4	Red/Yellow	4, 4X	yes	144E 3813
800 ... 1200	S4	Black	1, 3R, 12	yes	144F 3813
800 ... 1200	S4	Red/Yellow	1, 3R, 12	yes	144G 3813
800 ... 1200	S5	Black	1, 3R, 12 ⁽¹⁾	no	1453 8113
800 ... 1200	S5	Red/Yellow	1, 3R, 12 ⁽¹⁾	no	1454 8113
800 ... 1200	V1	Black	1, 3R, 12 ⁽¹⁾	no	4199 7149

(1) For 4, 4X please consult us.

Use

The handle interlocking function prevents the user from opening the door of the enclosure when the switch is in the "ON" position. Opening the door when the switch is in the "ON" position is possible by defeating the interlocking function (Not S5 and V handles) with the use of a tool (authorized persons only).

The interlocking function is restored when the door is re-closed.



access_150_a_1_cat



access_151_a_1_cat



access_152_a_1_cat



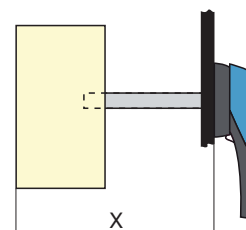
access_296_a_2_cat

Shaft for external handle

Rating (A)	Handle type	Length (in)	Length (mm)	Dimension X (in)	Dimension X (mm)	Reference
100 ... 200	S2 type	7.9	200	10 ... 14.3	254 ... 362	1400 1020
100 ... 200	S2 type	12.6	320	10 ... 19	254 ... 482	1400 1032
100 ... 200	S2 type	15.7	400	10 ... 22.1	254 ... 562	1400 1040
400	S3 type	7.9	200	12 ... 18.4	305 ... 467	1401 1520
400	S3 type	12.6	320	12 ... 23.1	305 ... 587	1401 1532
400	S3 type	15.7	400	12 ... 26.3	305 ... 667	1401 1540
600	S3 type	7.9	200	20 ... 23.4	508 ... 594	1401 1520
600	S3 type	12.6	320	20 ... 28.1	508 ... 714	1401 1532
600	S3 type	15.7	400	20 ... 31.3	508 ... 794	1401 1540
800 ... 1200	S4 type	7.9	200	20 ... 23.4	508 ... 594	1401 1520
800 ... 1200	S4 type	12.6	320	20 ... 28.1	508 ... 714	1401 1532
800 ... 1200	S4 type	15.7	400	20 ... 31.3	508 ... 794	1401 1540
800 ... 1200	V1 / S5 type	12.6	320	20 ... 28.1	508 ... 714	4199 3018
800 ... 1200	V1 / S5 type	15.7	400	20 ... 31.3	508 ... 794	4199 3019



access_369_a_1_cat



access_202_a_1_x_cat

Bridging bars

Use

Creation of a common point, above or below the switch, between positions I and II.

Rating (A)	No. bridging bar	Reference
100 ... 200	2	4159 2021
100 ... 200	3	4159 3021
100 ... 200	4	4159 4021
400	2	4159 2041
400	3	4159 3041
400	4	4159 4041
600	3	4159 3063
600	4	4159 4063
800 ... 1200	3	4159 3080
800 ... 1200	4	4159 4080



access_205_a_1_cat

Terminal protection screen

Use

Top or bottom protection against direct contact with terminals or connecting parts.

Rating (A)	No. of poles	Reference
100 ... 200	2P / 3P	4158 3021
100 ... 200	4 P	4158 4021
400	2P / 3P	4158 3041
400	4 P	4158 4041
600	6 P	1609 3063
600	4 P	1609 4063
800 ... 1200	3 P	1609 3080
800 ... 1200	4 P	1609 4080



access_207_a_1_cat

Auxiliary contacts

Use

Pre-break and signalisation of positions .
For low level ACs and other ACs contact us.

Electrical characteristics

A300.

NO/NC auxiliary contact

Rating (A)	Contact (s)	Reference
100 ... 400	NO/NC on position 1 and 2	4159 0021
100 ... 400	Low level NO/NC on position 1 and 2	4159 0022
600 ... 1200	NO/NC on position 1 and 2	as standard



access_065_a_1_cat

Terminal lugs

Use

Connection of bare copper cables onto the terminals (without lugs).

Rating (A)	Wires range	No wires per lug	Lugs per kit	Wires	Reference
100 ... 200	6 - 300MCM	1	2	Cu / Al	3954 2020
100 ... 200	6 - 300MCM	1	3	Cu / Al	3954 3020
100 ... 200	6 - 300MCM	1	4	Cu / Al	3954 4020
400	4 - 600MCM	1	2	Cu / Al	3954 2040
400	4 - 600MCM	1	3	Cu / Al	3954 3040
400	4 - 600MCM	1	4	Cu / Al	3954 4040
400	2x (#6 - 350MCM)	2	2	Cu / Al	3954 2041
400	2x (#6 - 350MCM)	2	3	Cu / Al	3954 3041
400	2x (#6 - 350MCM)	2	4	Cu / Al	3954 4041
600	2x (#2 - 600MCM)	2	3	Cu / Al	3954 3060
600	2x (#2 - 600MCM)	2	4	Cu / Al	3954 4060
800 ... 1200	2x 2x(#2 - 600MCM)	2	6	Cu / Al	3954 3120
800 ... 1200	2x 2x(#2 - 600MCM)	2	8	Cu / Al	3954 4120



ul_032_a

SIRCOVER UL1008/98

Changeover switches standards UL and CSA

100 to 1200 A

Characteristics

Characteristics according to UL1008

	100 to 1200 A					
General use rating (A)	100 A	200 A	400 A	600 A	800 A	1200 A
Operation voltage	600	600	600	600	600	600
Short circuit rating at 600 VAC (kA)	100	100	65	100	100	100
Type of fuse	J	J	J	L	L	L
Max. fuse rating (A)	200	400	600	800	1000	1600
Short circuit rating with circuit breaker (kA/ms)	10 / 25	10 / 25	14 / 50	35 / 50	35 / 50	35 / 50

Operational power / current max Operational 1 ph

240 VAC Total system (A)	100	100	200			
240 VAC Resistive load (A)	100	200	400			

Operational power / current max Operational 3 ph

240 VAC Total System (A)	100	100	200	400	700	700
240 VAC Resistive load (A)	100	200	400	600	800	1200
480 VAC Total System (A)	100	100	200	350	600	600
480 VAC Resistive load (A)	100	200	400	600	800	1200
600 VAC Resistive load (A)	100	200	400	600	800	1200

Mechanical endurance

Endurance (number of operating cycles)	6050	6050	6050	6050	3550	3550
----------------------------------------	------	------	------	------	------	------

Connection terminals

Min. connection section / AWG	#6	#6	#4 / 2 x #6	2x #2	4x #2	4x #2
Max. connection section / AWG	300MCM	300MCM	600MCM / 2x 350MCM	2x 600MCM	4x 600MCM	4x 600MCM

Characteristics according to UL98/CSA22.2#4

	100 to 1200 A					
General use rating at 600VAC and 250VDC (A)	100 A ⁽¹⁾	200 A ⁽²⁾	400A ⁽²⁾	600 A	800 A	1200 A
Short circuit rating at 600 VAC (kA)	200	200	200	200	100	100
Type of fuse	J	J	J	J	L	L
Max. fuse rating (A)	100	200	400	600	800	1200

Max. motor, hp / FLA 1 ph motor max.

240 VAC	10 / 50	10 / 50				
---------	---------	---------	--	--	--	--

Max. motor, hp / FLA 3 ph motor max.

220-240 VAC	30 / 80	72 / 192	125 / 312	200 / 480		
440-480 VAC	75 / 96	150 / 180	250 / 302	400 / 477		
600 VAC	100 / 99	200 / 192	350 / 336	500 / 472		

Max. motor power, hp / DC FLA motor max.

125 VDC ⁽¹⁾	10 / 76	15 / 112	20 / 148			
250 VDC ⁽²⁾	15 / 55	15 / 55	50 / 173			

Mechanical characteristics

Endurance (number of operating cycles)	10000	8000	6000	6000	3500	3500
Operating torque (lbs.in/Nm)	88.5/10	88.5/10	128.3/14.5	327.5/37	442.5/50	442.5/50

Auxiliary contacts

Electrical characteristics	A300	A300	A300	A300	A300	A300
----------------------------	------	------	------	------	------	------

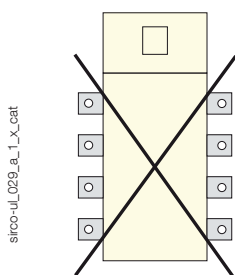
(1) With 2 poles in series

(2) With 3 poles in series

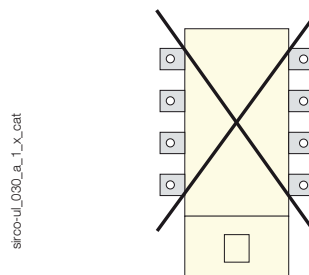
(3) General use rating at 600 VDC with 3 poles in series

Mounting orientation

SIRCOVER - 100 to 400 A

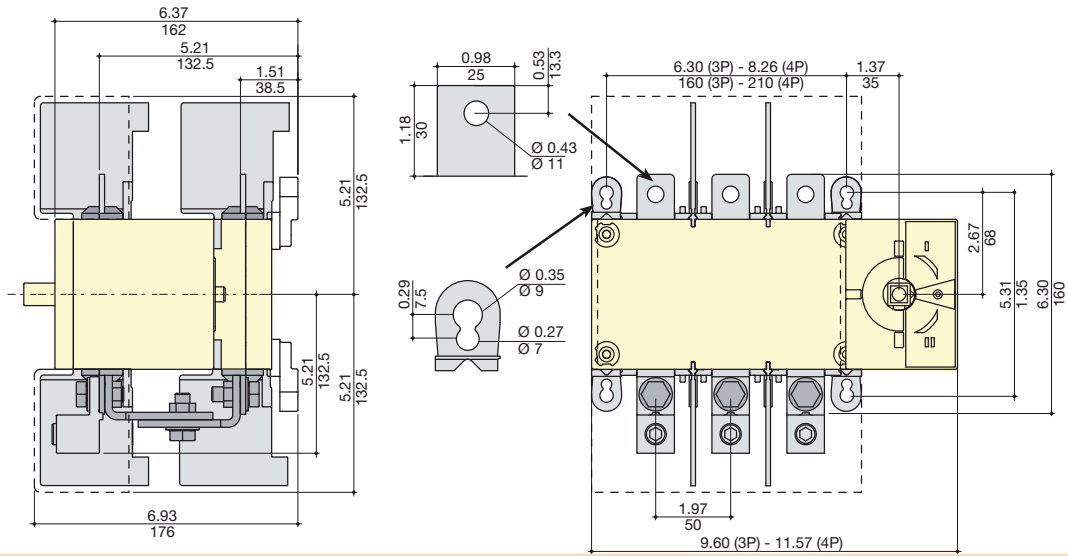


SIRCOVER - 600 to 1200 A



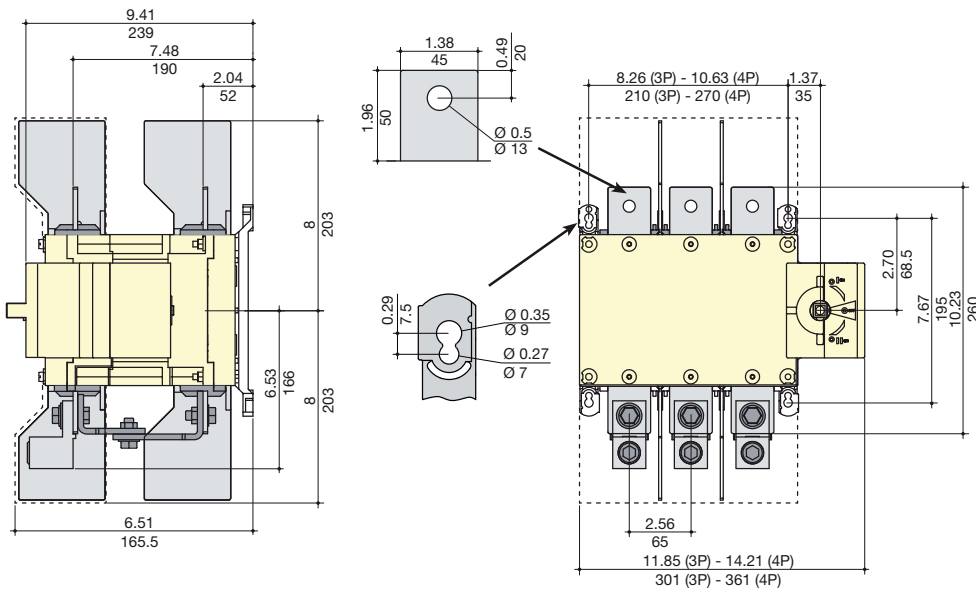
Dimensions (in/mm)

100 to 200 A



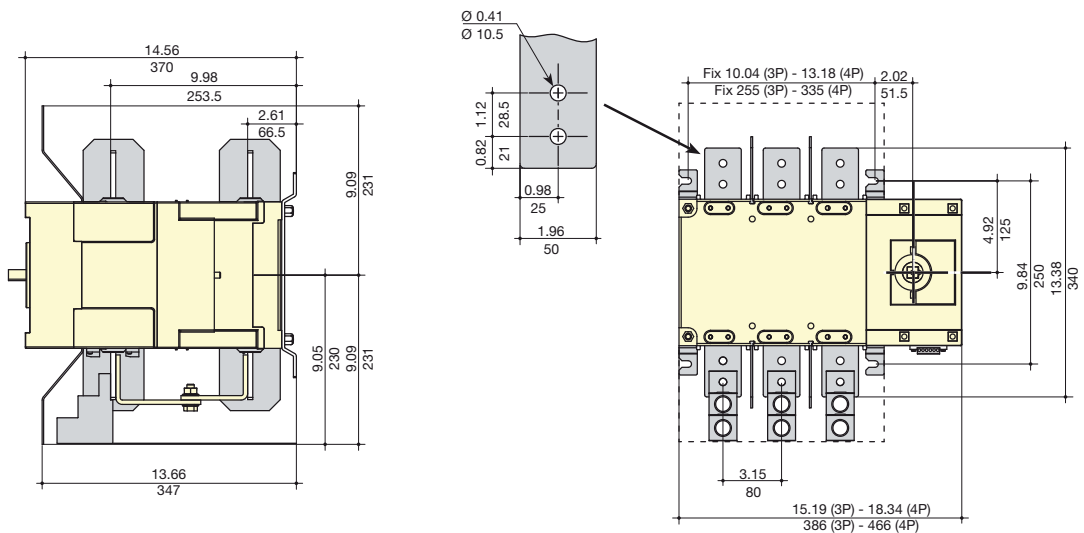
svr-ul_015_a_x_cat

400 A



svr-ul_016_a_x_cat

600 A



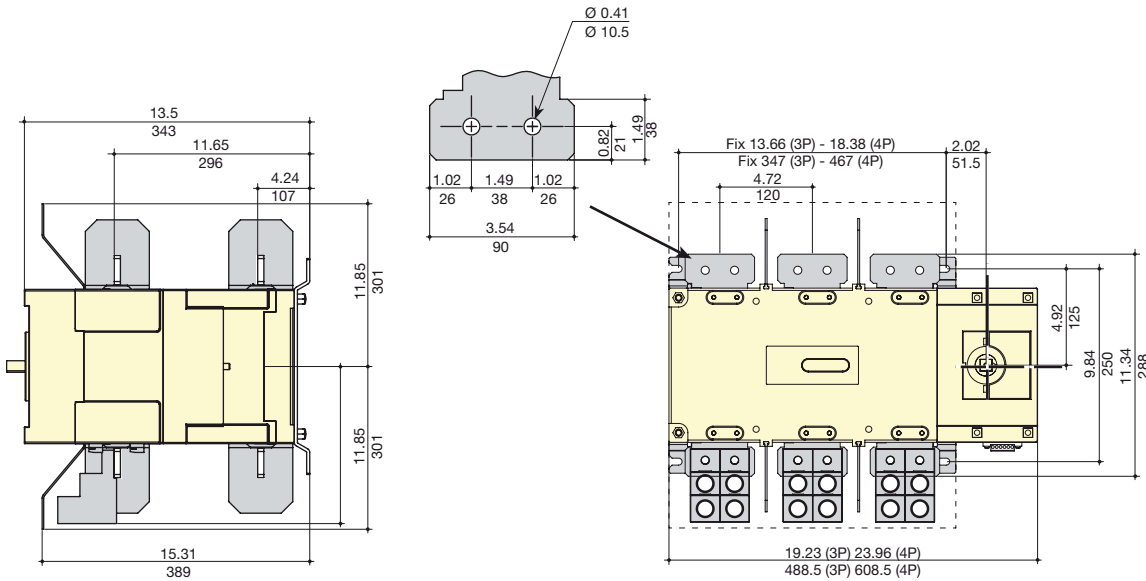
svr-ul_003_a_x_cat

SIRCOVER UL1008/98

Changeover switches standards UL and CSA
100 to 1200 A

Dimensions (in/mm) (continued)

800 to 1200 A



svr-ul_004_b_x_cat

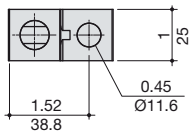
Terminal lugs (in/mm)

SIRCOVER 100 to 200 A

SIRCOVER 400 A

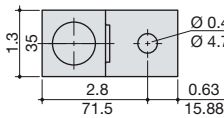
SIRCOVER 400 A

SIRCOVER 600 to 1200 A



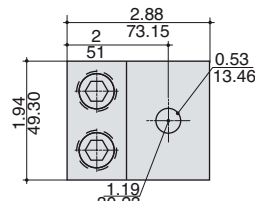
svr-ul_115_b_1_x_cat

300 kcmil



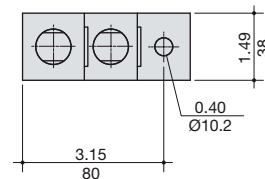
svr-ul_010_a_1_x_cat

600 kcmil



svr-ul_026_b_1_cat

2 x 350 kcmil



svr-ul_116_b_1_x_cat

2 x 600 kcmil

External handles dimensions (in/mm)

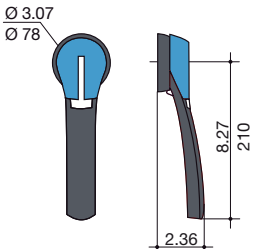
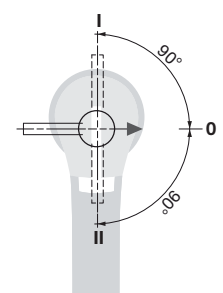
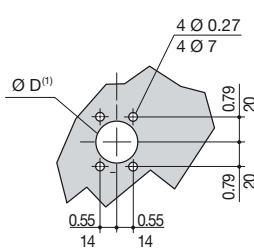
SIRCOVER 100 and 200 A

Handle type	Front operation Direction of operation	Door drilling
S2 type 		

svr-ul_010_a_1_gb_cat

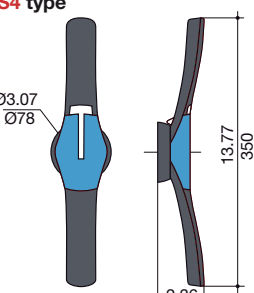
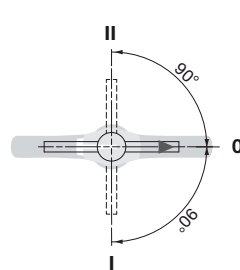
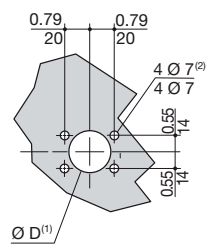
External handles dimensions (in/mm)

SIRCOVER 400 and 600 A

Handle type	Front operation Direction of operation	Door drilling
<p>S3 type</p> 		

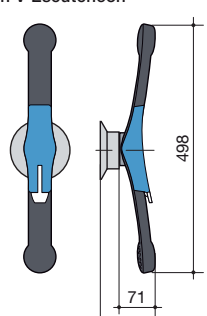
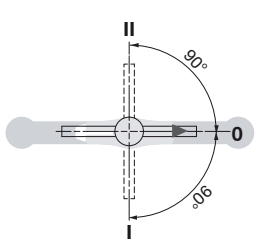
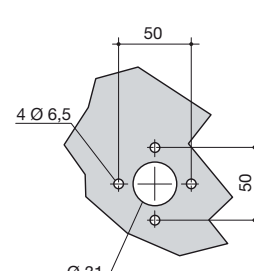
svr-ul_012_a_1_gb_cat

SIRCOVER 800 to 1200 A

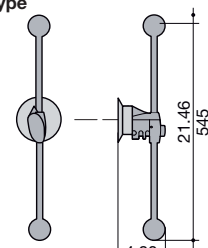
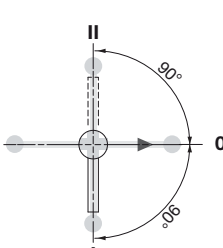
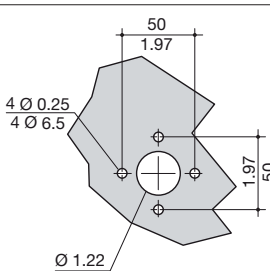
Handle type	Front operation Direction of operation	Door drilling
<p>S4 type</p> 		

svr-ul_011_a_1_gb_cat

SIRCOVER 800 to 1200 A

Handle type	Front operation Direction of operation	Door drilling
<p>S5 type with V Escutcheon</p> 		

poign_023_a_1_gb_cat

Handle type	Front operation Direction of operation	Door drilling
<p>V1 type</p> 		

sirco-ul_031_a_1_gb_cat