

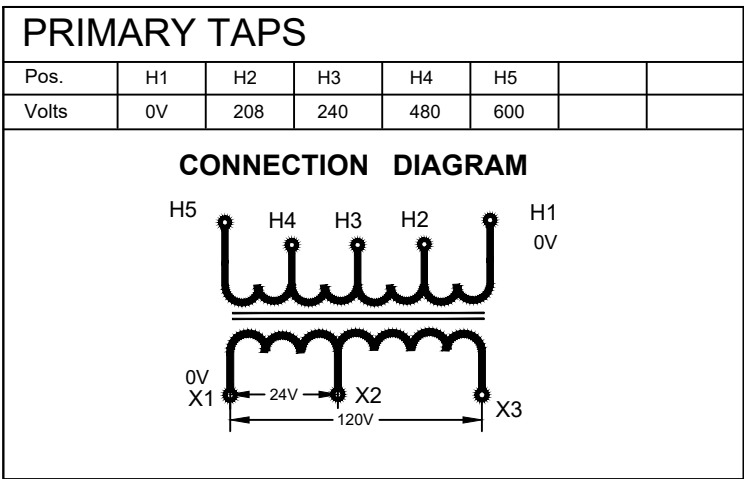


# MARCUS

Marcus Transformer LTD  
 Phone: 1-800-267-7376  
 Fax: 1-866-205-7526  
 Email: Info@marcustransformer.com

## TECHNICAL DATA SINGLE PHASE CONTROL TRANSFORMER

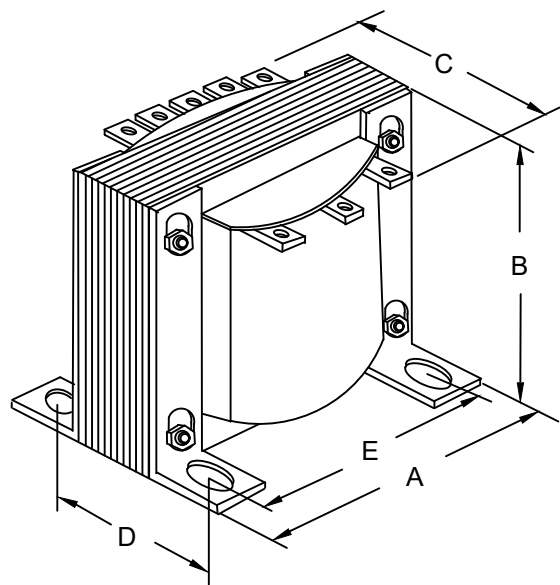
DESCRIPTION	
MODEL	M97480T
Type	Open
VA	50
Primary (Volts)	208 / 240 / 480 / 600
Secondary (Volts)	24 / 120
Input Amps	0.24 / 0.21 / 0.10 / 0.08
Output Amps	0.40 / 0.42
Temperature Rise	80°C
Insulation Class	B (130°C)
Frequency	50 / 60Hz
Polarity	additive
Noise level	less than 40DB
Winding	Copper
Approvals	CE compliant UL listed CSA approved



### WIRING CONNECTION

PRIMARY :	
VOLTS	CONNECT LINES TO :
208	H1-H2
240	H1-H3
480	H1-H4
600	H1-H5

SECONDARY :	
VOLTS	CONNECT LINES TO :
24	X1-X2
120	X1-X3



### DIMENSIONS INCHES / MM

VA	A	B	C	D	E	MOUNTING HOLES INCHES / MM	SHIP WEIGHT LBS / KG
50	3.00 76.2	2.50 63.5	3.27 83.1	2.50 63.5	2.50 63.5	0.21 x 0.625 5.3 x 15.9	2.75 1.3

Notes: